



GROUP OP – P3000 SERIES

PERFORMANCE DATA

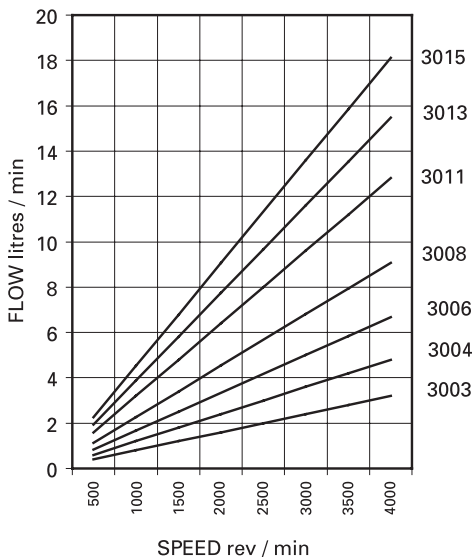
Pressures quoted are relief valve maximum by-pass
Performance with SAE 20W oil at 50° C

PUMP TYPE	Nominal Displacement	Nominal Delivery @ 1500 rpm & Pressure P	Maximum Continuous Pressure P		Speed at Maximum Continuous Pressure P	
			psi	bar	Max	min
	cc/rev	lpm				
3003	0.80	1.20	3000	207	4000	500
3004	1.20	1.80	3000	207	4000	500
3006	1.67	2.50	3000	207	4000	500
3008	2.27	3.40	3000	207	4000	500
3011	3.20	4.80	3000	207	4000	500
3013	3.87	5.80	3000	207	4000	500
3015	4.53	6.80	3000	207	4000	600

TYPICAL PERFORMANCE

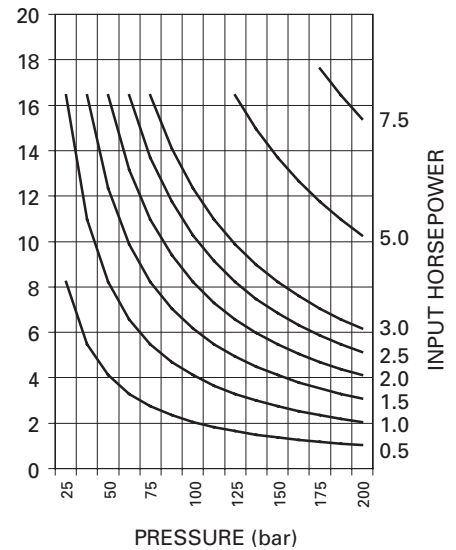
TYPICAL PUMP DELIVERY

Flow at Max. Pressure.



TYPICAL INPUT HORSEPOWER

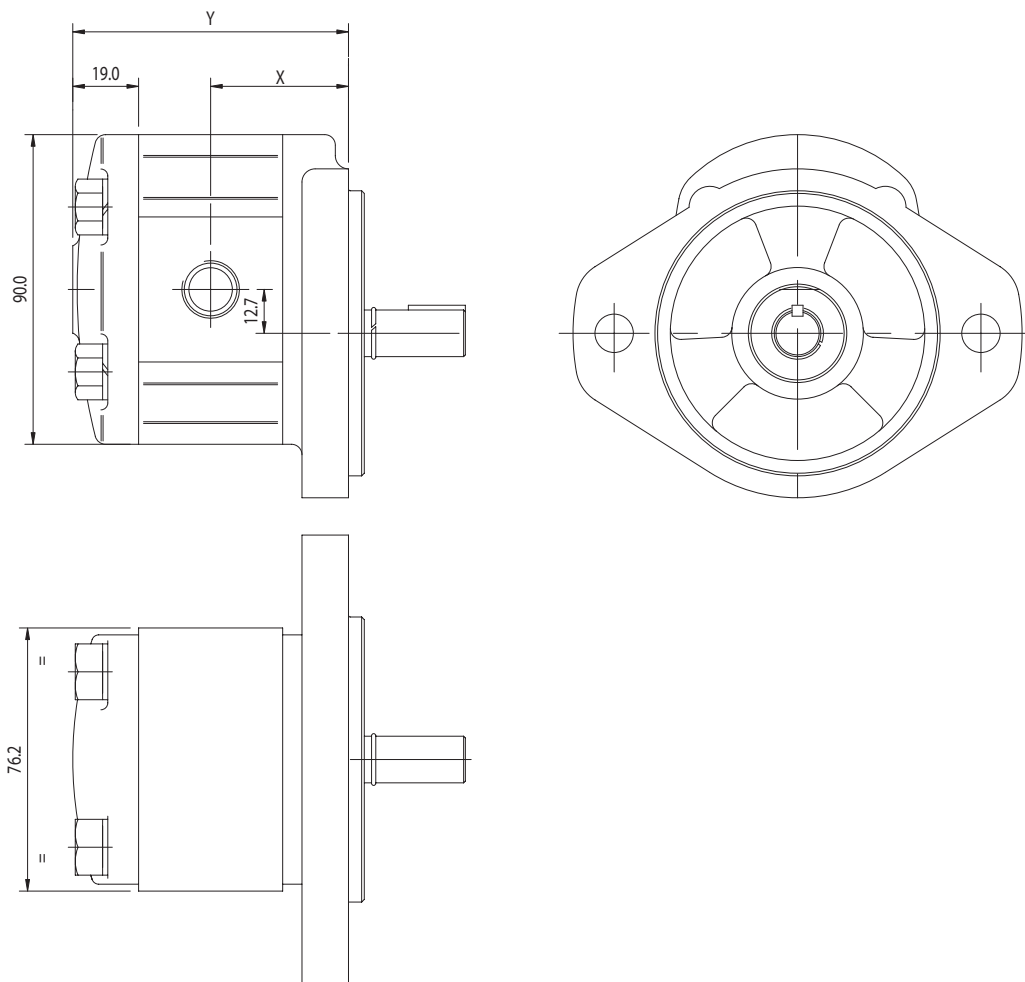
Fluid SAE 20W
Fluid Temperature 50° C





OP SERIES

INSTALLATION DIMENSIONS



OP-3015	42.2	84.5
OP-3013	41.5	83.1
OP-3011	40.8	81.7
OP-3008	39.9	79.7
OP-3006	39.1	78.2
OP-3004	38.6	77.1
OP-3003	38.1	76.3
PUMP TYPE.	DIM-X	DIM-Y

ALL DIMENSIONS ARE IN MM UNLESS SPECIFIED.



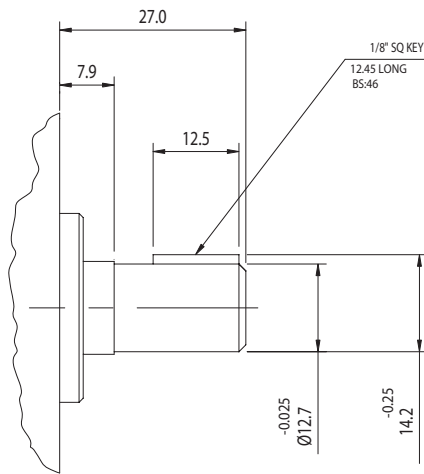
INDEX



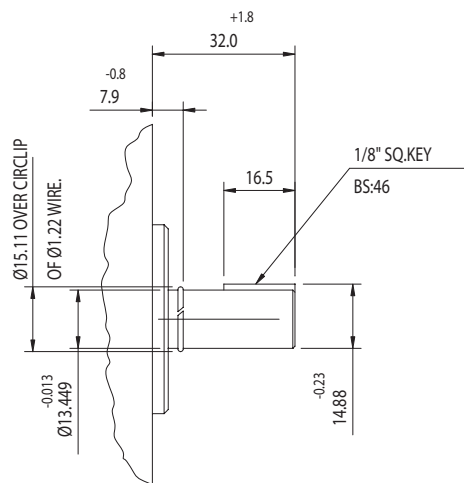
OP SERIES

DRIVE SHAFT

SHAFT CODE - L



SHAFT CODE - P



ALL DIMENSIONS ARE IN MM UNLESS SPECIFIED.



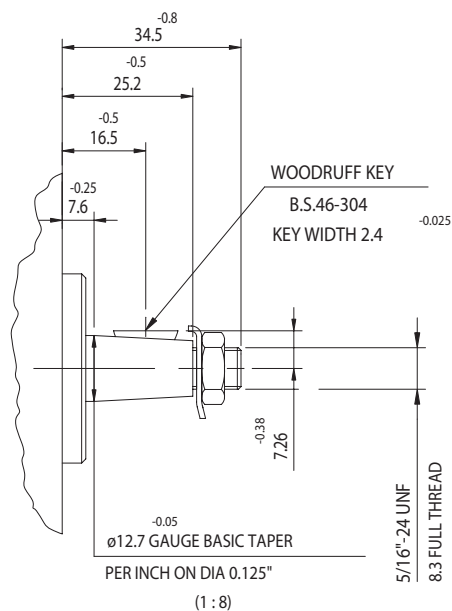
INDEX



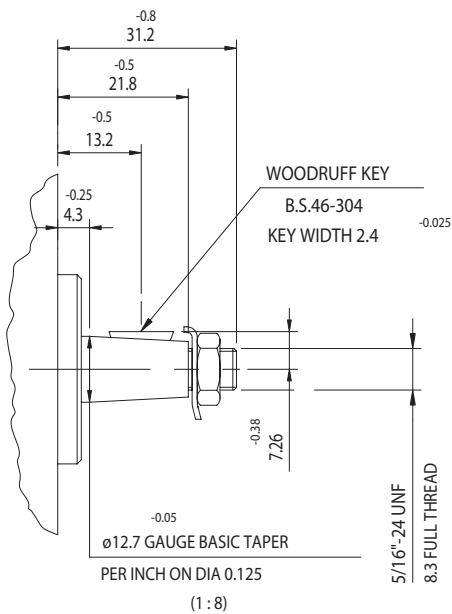
OP SERIES

DRIVE SHAFT

SHAFT CODE - T
FOR FLANGE CODE - D



SHAFT CODE - T
FOR FLANGE CODE - S



ALL DIMENSIONS ARE IN MM UNLESS SPECIFIED.



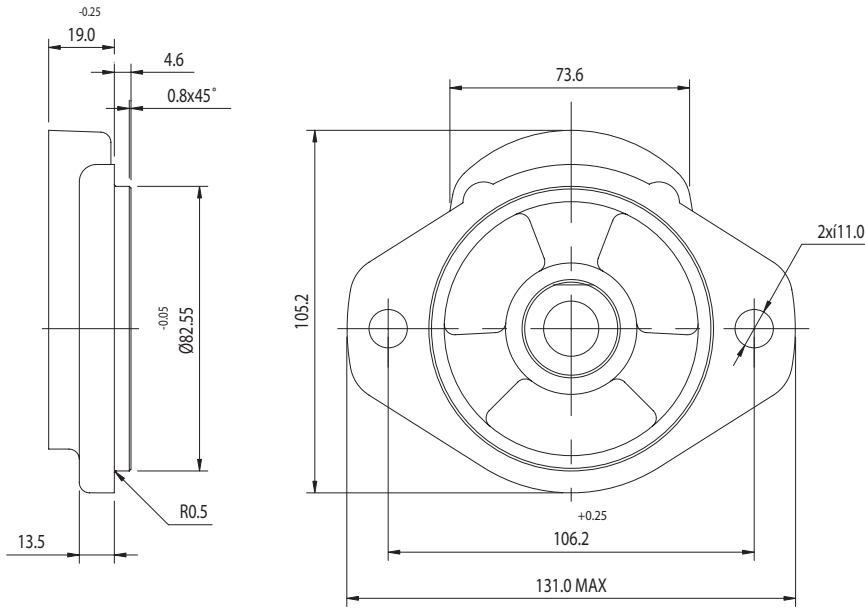
INDEX



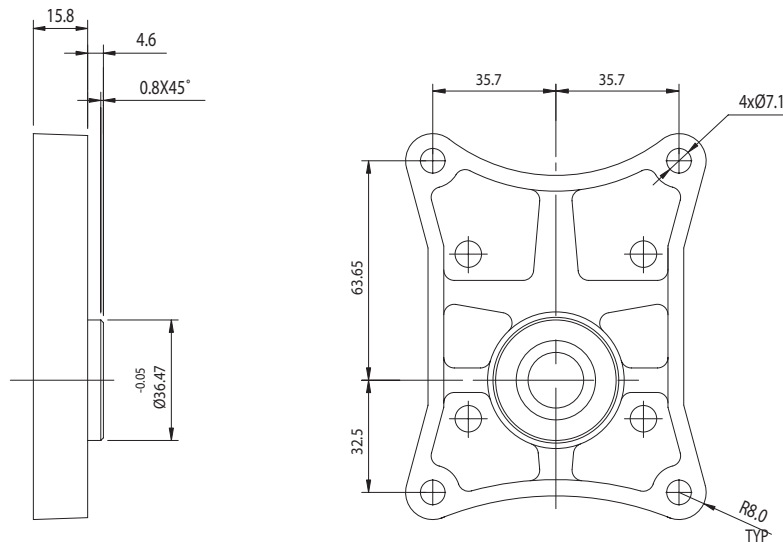
OP SERIES

MOUNTING FLANGE

CODE - S



CODE - D



ALL DIMENSIONS ARE IN MM UNLESS SPECIFIED.



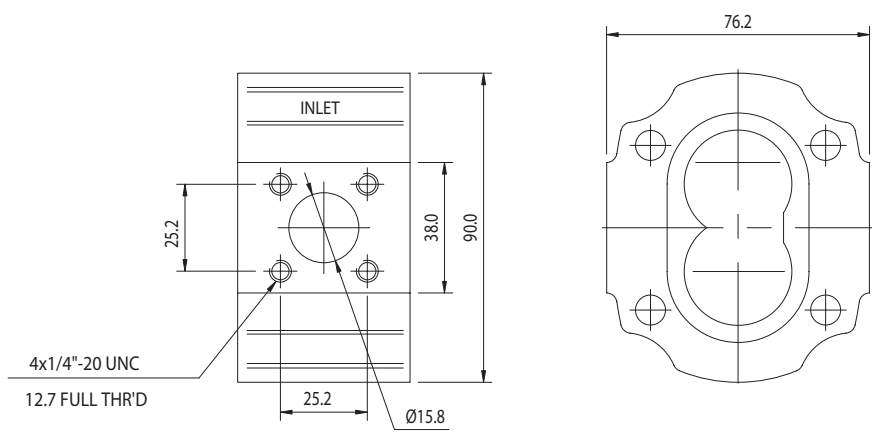
INDEX



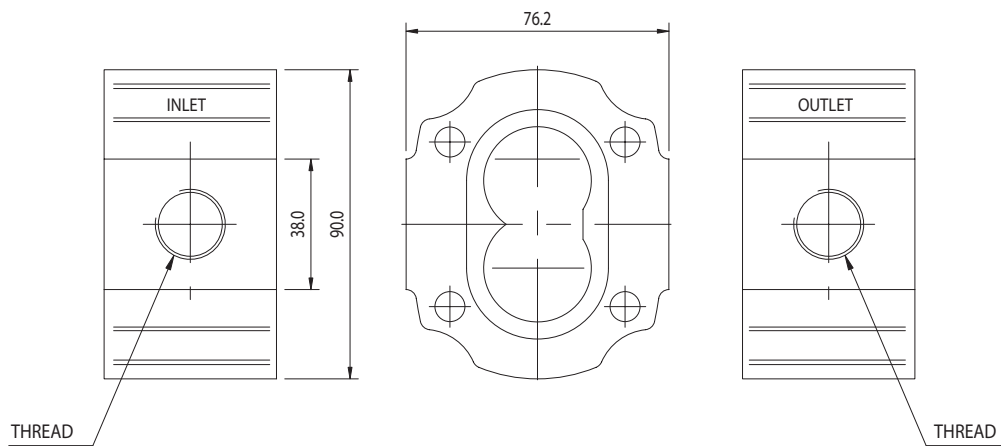
OP SERIES

BODY

CODE - F



CODE - T



INLET AND OUTLET PORTS

3/8\"-BSP FOR PUMP TYPES OP3003 TO 3011

1/2\"-BSP FOR PUMP TYPES OP3013 TO 3015

ALL DIMENSIONS ARE IN MM UNLESS SPECIFIED.



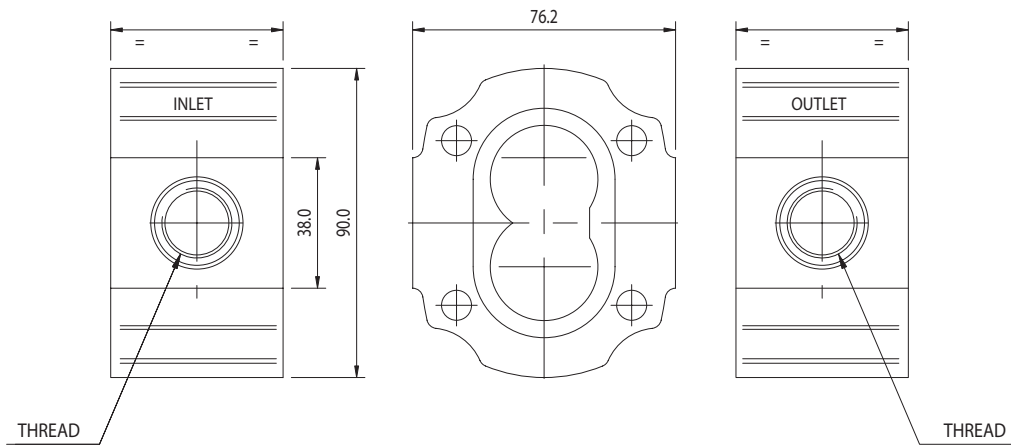
INDEX



OP SERIES

BODY PORT

CODE - J



INLET AND OUTLET PORTS

7/8"-14 UN FOR PUMP TYPES 3015 INLET OUTLET 3/4-16UN

3/4"-16 UN FOR PUMP TYPES OP3003 TO OP3013

ALL DIMENSIONS ARE IN MM UNLESS SPECIFIED.



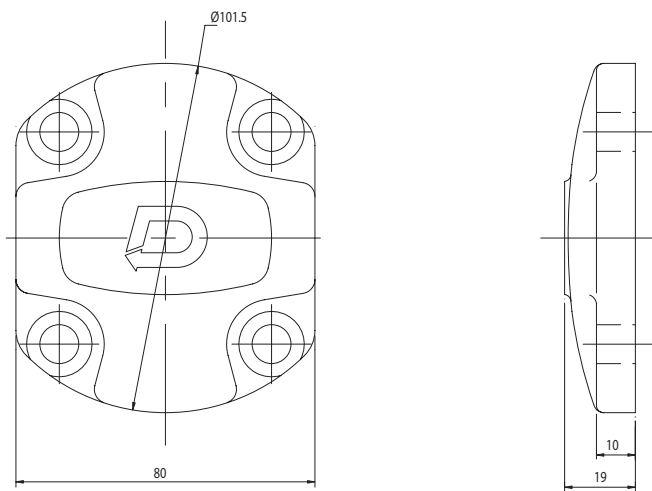
INDEX



OP SERIES

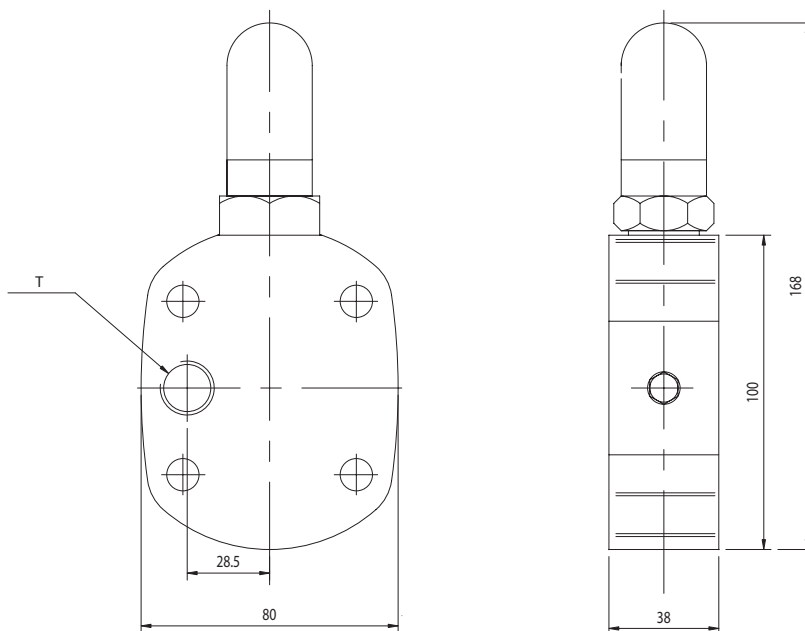
END COVER

CODE - B



CODE - R

RELIEF VALVE SUITABLE FOR GROUP OP
MOUNTED IN PLACE OF END COVER



ALL DIMENSIONS ARE IN MM UNLESS SPECIFIED.